

Specifications

Rating

Operating Temperature Range: -25°C~+85°C

Electrical

Contact resistance: 10m Ohm Max

Insulator resistance: 100M ohm min at 500VDC

General characteristics

Standards/regulations: M8 plug-in connector IEC 61076-2-104

Degree Of Protection: IP67/IP68- Dust Tight, Waterproof

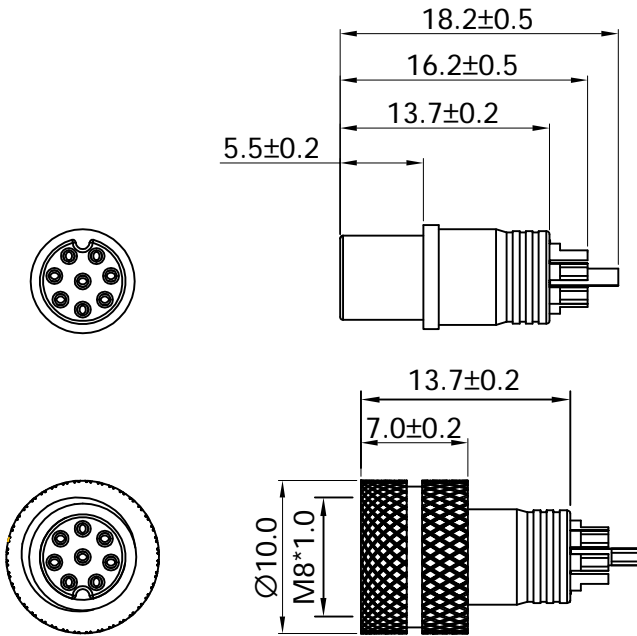
Life Cycles: 100 Cycles.

Product Parameters

Shell material:	Brass nickel plated
Sealing material:	Fluororubber(FKM)
Contact material:	Brass gold-plated
Insulator material:	PA66
Molding material:	NYLON/TPU/PVC
Durability:	≥100 Cycles
Insulation impedance:	≥100MΩ
Applicable temperature:	-25°C ~ +85°C

PIN NUMBER	Female		Male		Current Rating	Voltage Rating (AC/DC)	Contact resistance (Ohm Max)	Breakdown Voltage AC
	A	B	A	B				
2PIN					3A	60V	10m	1500V
3PIN					3A	60V	10m	1500V
4PIN					3A	30V	10m	800V
5PIN					1.5A	30V	10m	800V
6PIN					1.5A	30V	10m	500V
8PIN					1.5A	30V	10m	500V

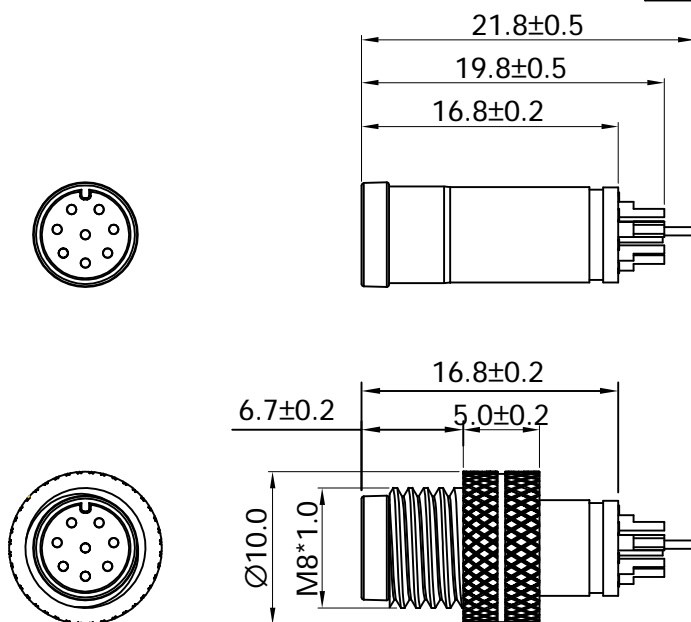
KM0801F-XXAG-0A
Solder Type Overmold Female



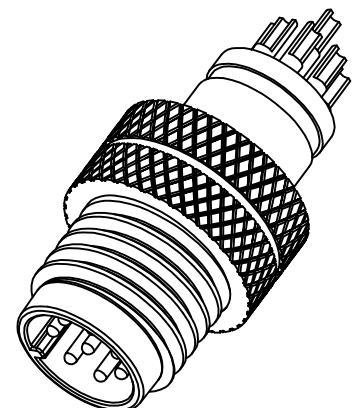
A-CODE KM0801F-02AG-0A	A-CODE KM0801F-03AG-0A	A-CODE KM0801F-04AG-0A	A-CODE KM0801F-05AG-0A
B-CODE KM0801F-05BG-0A	A-CODE KM0801F-06AG-0A	A-CODE KM0801F-08AG-0A	



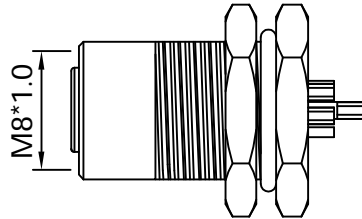
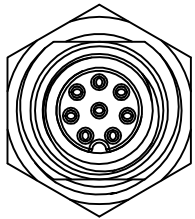
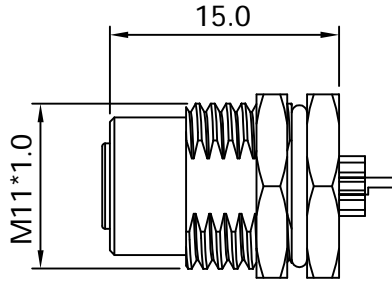
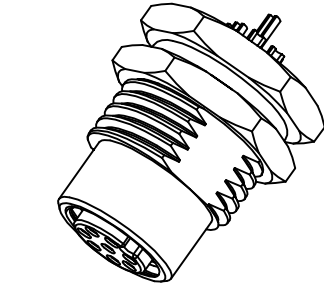
KM0801M-XXAG-0A
Solder Type Overmold Male



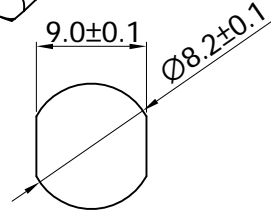
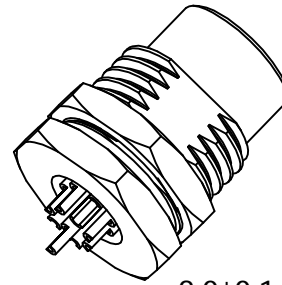
A-CODE KM0801M-02AG-0A	A-CODE KM0801M-03AG-0A	A-CODE KM0801M-04AG-0A	A-CODE KM0801M-05AG-0A
B-CODE KM0801M-05BG-0A	A-CODE KM0801M-06AG-0A	A-CODE KM0801M-08AG-0A	



KM0803F-XXAG-0C
Back Mount Panel Connector Female

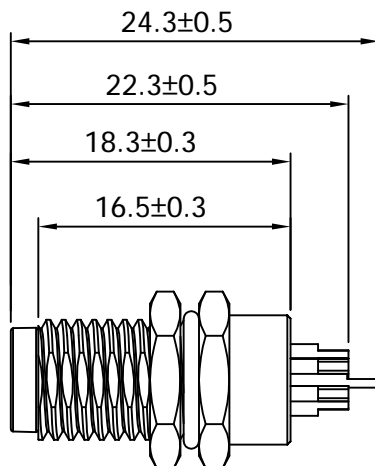
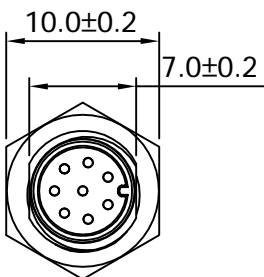
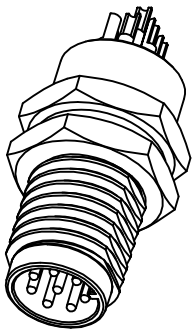


A-CODE KM0803F-02AG-0C	A-CODE KM0803F-03AG-0C	A-CODE KM0803F-04AG-0C	A-CODE KM0803F-05AG-0C
B-CODE KM0803F-05BG-0C	A-CODE KM0803F-06AG-0C	A-CODE KM0803F-08AG-0C	

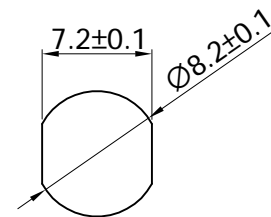


Recommended Panel Cut-OUT

KM0803M-XXAG-0C
Back Mount Panel Connector Female

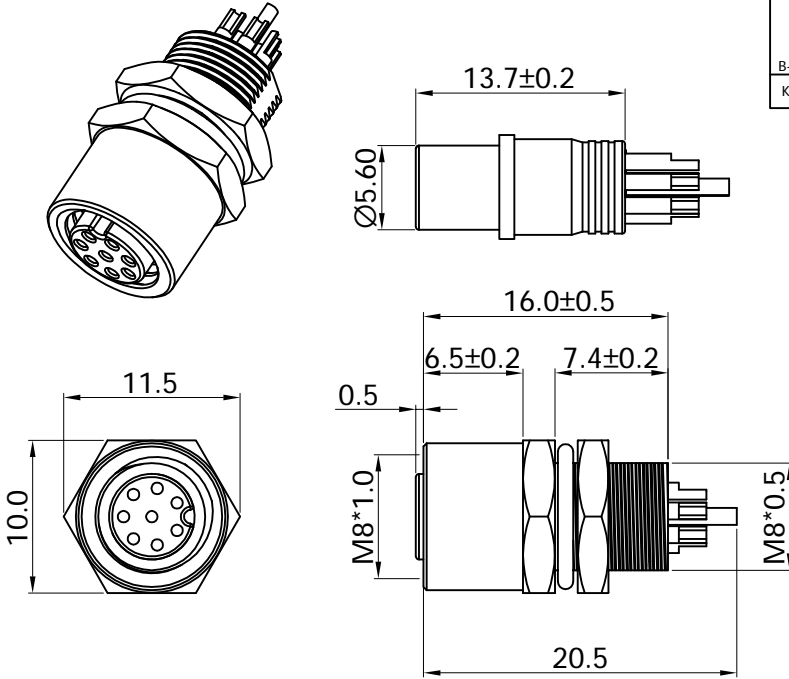


A-CODE KM0803M-02AG-0C	A-CODE KM0803M-03AG-0C	A-CODE KM0803M-04AG-0C	A-CODE KM0803M-05AG-0C
B-CODE KM0803M-05BG-0C	A-CODE KM0803M-06AG-0C	A-CODE KM0803M-08AG-0C	

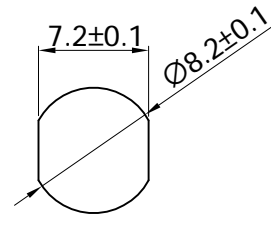


Recommended Panel Cut-OUT

KM0804F-XXAG-0C
Front Mount Panel Connector Female

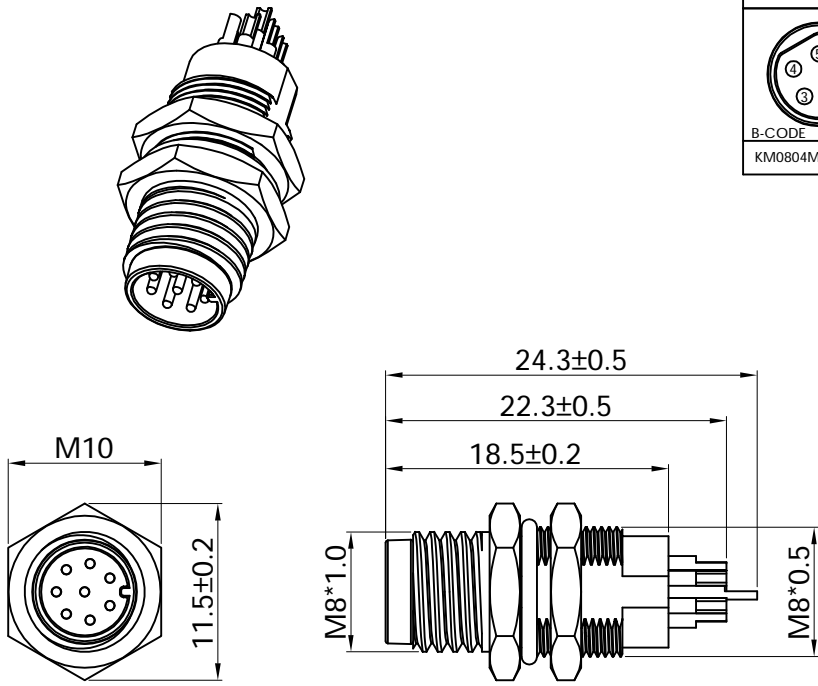


A-CODE KM0804F-02AG-0C	A-CODE KM0804F-03AG-0C	A-CODE KM0804F-04AG-0C	A-CODE KM0804F-05AG-0C
B-CODE KM0804F-05BG-0C	A-CODE KM0804F-06AG-0C	A-CODE KM0804F-08AG-0C	

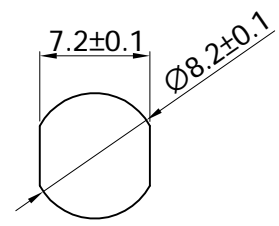


Recommended Panel Cut-OUT

KM0804M-XXAG-0C
Front Mount Panel Connector Male

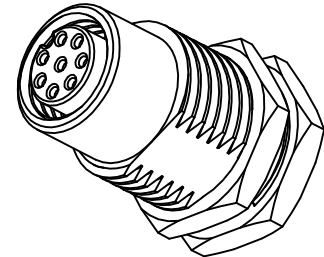
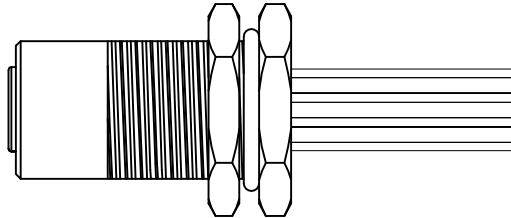
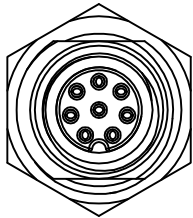
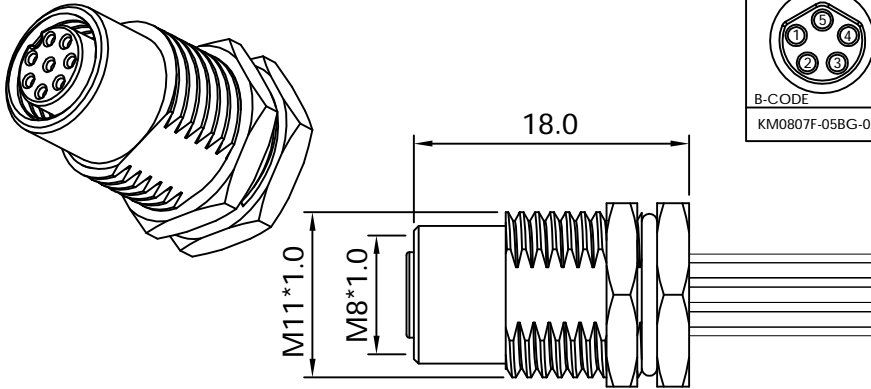


A-CODE KM0804M-02AG-0C	A-CODE KM0804M-03AG-0C	A-CODE KM0804M-04AG-0C	A-CODE KM0804M-05AG-0C
B-CODE KM0804M-05BG-0C	A-CODE KM0804M-06AG-0C	A-CODE KM0804M-08AG-0C	

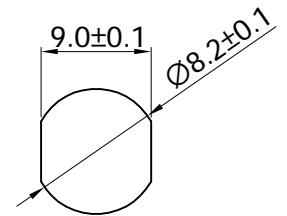


Recommended Panel Cut-OUT

KM0805F-08AG-0C
Back Mount Panel Connector Female

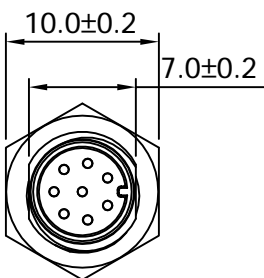
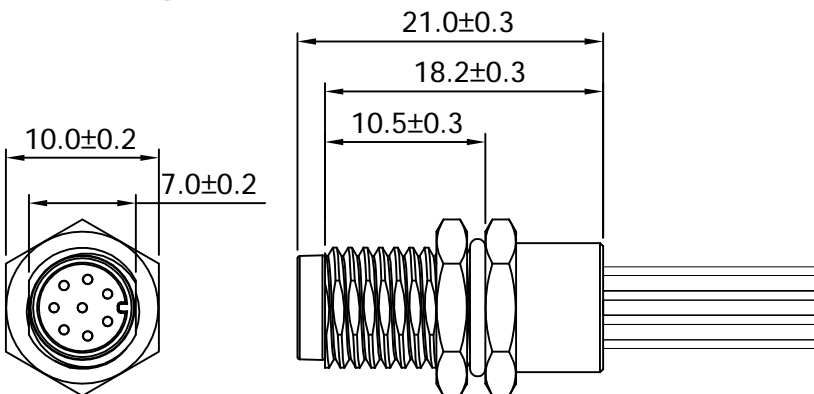
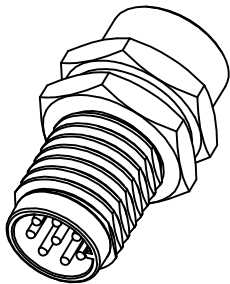


 A-CODE KM0807F-02AG-0C	 A-CODE KM0807F-03AG-0C	 A-CODE KM0807F-04AG-0C	 A-CODE KM0807F-05AG-0C
 B-CODE KM0807F-05BG-0C	 A-CODE KM0807F-06AG-0C	 A-CODE KM0807F-08AG-0C	

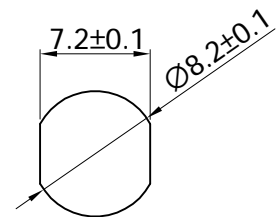


Recommended Panel Cut-OUT

KM0805M-XXAG-0C
Back Mount Panel Connector Male

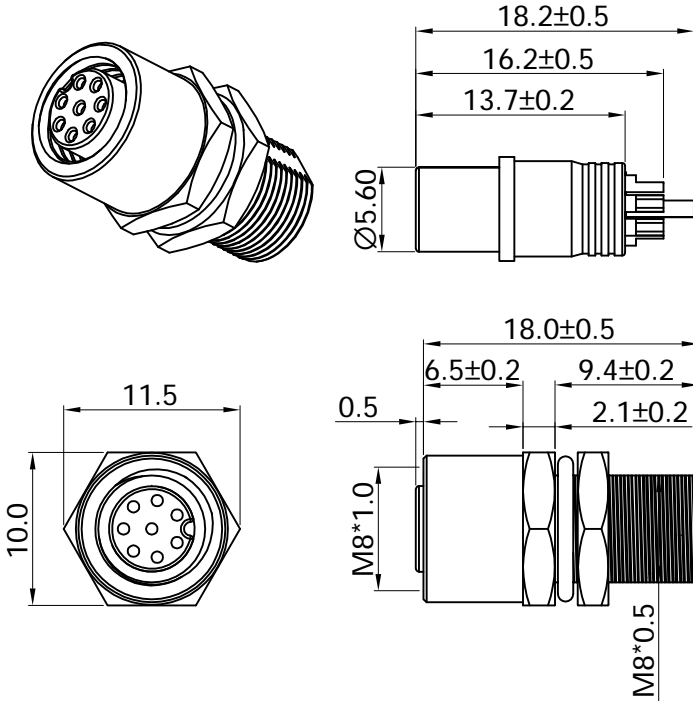


 A-CODE KM0807M-02AG-0C	 A-CODE KM0807M-03AG-0C	 A-CODE KM0807M-04AG-0C	 A-CODE KM0807M-05AG-0C
 B-CODE KM0807M-05BG-0C	 A-CODE KM0807M-06AG-0C	 A-CODE KM0807M-07AG-0C	

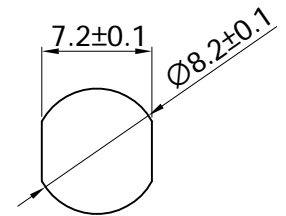


Recommended Panel Cut-OUT

KM0806F-XXAG-0A
Front Mount Panel Connector Female

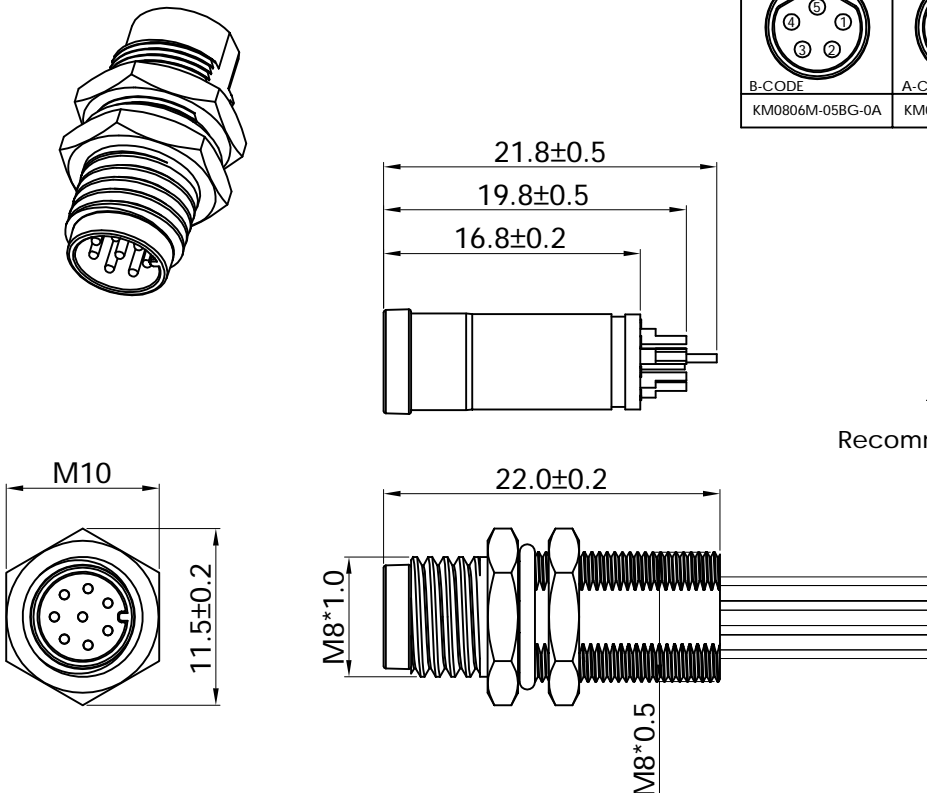


A-CODE KM0806F-02AG-0A	A-CODE KM0806F-03AG-0A	A-CODE KM0806F-04AG-0A	A-CODE KM0806F-05AG-0A
B-CODE KM0806F-05BG-0A	A-CODE KM0806F-06AG-0A	A-CODE KM0806F-08AG-0A	

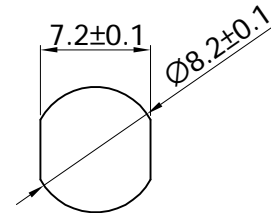


Recommended Panel Cut-OUT

KM0806M-XXAG-0A
Front Mount Panel Connector Male



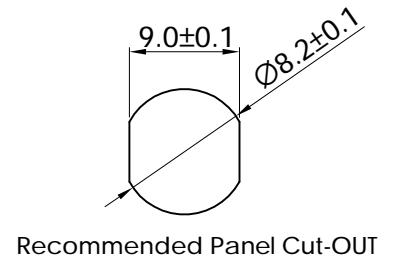
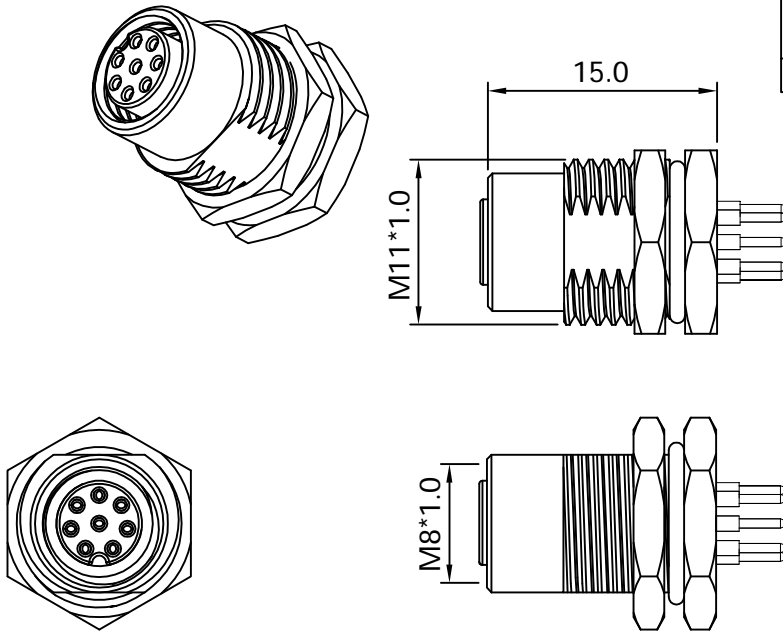
A-CODE KM0806M-02AG-0A	A-CODE KM0806M-03AG-0A	A-CODE KM0806M-04AG-0A	A-CODE KM0806M-05AG-0A
B-CODE KM0806M-05BG-0A	A-CODE KM0806M-06AG-0A	A-CODE KM0806M-07AG-0A	



Recommended Panel Cut-OUT

KM0807F-08AG-0C
Back Mount Panel Connector Female

A-CODE KM0807F-02AG-0C	A-CODE KM0807F-03AG-0C	A-CODE KM0807F-04AG-0C	A-CODE KM0807F-05AG-0C
B-CODE KM0807F-05BG-0C	A-CODE KM0807F-06AG-0C	A-CODE KM0807F-08AG-0C	



KM0807M-XXAG-0C
Back Mount Panel Connector Male

A-CODE KM0807M-02AG-0C	A-CODE KM0807M-03AG-0C	A-CODE KM0807M-04AG-0C	A-CODE KM0807M-05AG-0C
B-CODE KM0807M-05BG-0C	A-CODE KM0807M-06AG-0C	A-CODE KM0807M-07AG-0C	

